

IR304TE/S/TH



## FEATURES

Magnetic induction technology provides fast and perfectly distributed heat

Incredible cooking control, with lightning fast high heat and very low lows

Four induction zones and 2-way bridging option accommodate different pan sizes

Cookware sensing guards against hot burners being left on

Dual convection oven for faster, more consistent cooking

Temperature probe lets you know when it's done

Cobalt blue porcelain interior

Red, black or brushed stainless control knobs

Self clean, delayed start, timed cook, Sabbath mode and more

10 cooking modes make meals easy

Rigorously tested in our U.S. manufacturing facilities for decades of use

Exceptional 24/7 support from our Customer Care team in Madison

## ACCESSORIES

30" Bake Stone Kit

30" Broiler Pan

30" Dual Fuel and Induction Range Kickplate

30" Full-Extension Oven Rack

Broiler Pan

Dehydration Kit

Induction Range Black Knobs

Induction Range Red Knobs

Induction Range Stainless Steel Knobs

Oven Rack Set (3)

Premier Baking Sheet

Temperature Probe

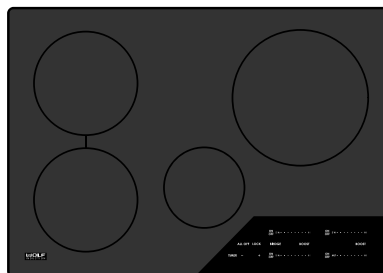
Accessories available through an authorized Sub-Zero dealer.  
For local dealer information, visit [subzero-wolf.com/locator](http://subzero-wolf.com/locator).



## KNOB OPTIONS



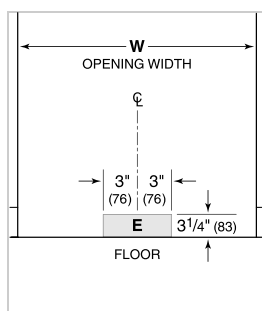
## TOP CONFIGURATION



**PRODUCT SPECIFICATIONS**

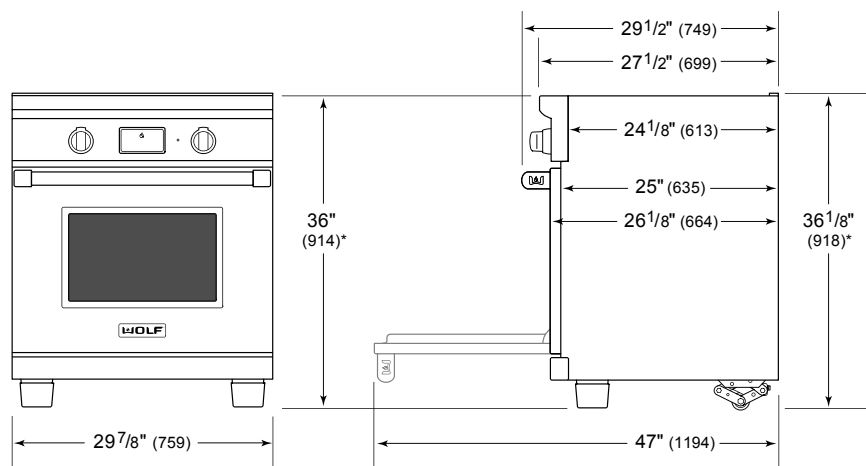
Model	IR304TE/S/TH
Dimensions	29 7/8"W x 35 7/8"H x 29 1/2"D
Oven 1 Interior Dimensions	25"W x 16 1/2"H x 19"D
Oven 1 Usable Capacity	2.8 cu. ft.
Oven 1 Overall Capacity	4.5 cu. ft.
Door Clearance	19 1/2"
Weight	325 lbs
Electrical Supply	240/208 VAC, 60 Hz
Electrical Service	50 amp dedicated circuit

**ELECTRICAL**



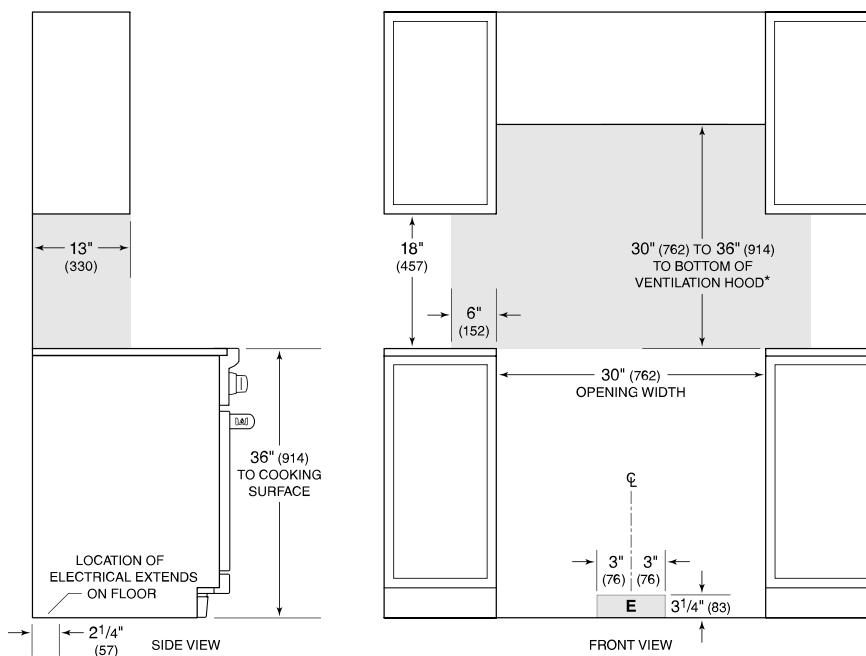
**IMPORTANT NOTE:** Adjacent countertops must be at least 35 7/8" for flush installation to top of unit.

**DIMENSIONS**



\*36" (914) MIN TO 38 1/8" (968) MAX.

**STANDARD INSTALLATION**



\*Without ventilation hood, 36" (914) minimum clearance countertop to combustible materials.

NOTE: Shaded area above countertop indicates minimum clearance to combustible surfaces, combustible materials cannot be located within this area.

For island installation, 12" (305) minimum clearance back of range to combustible rear wall above countertop.